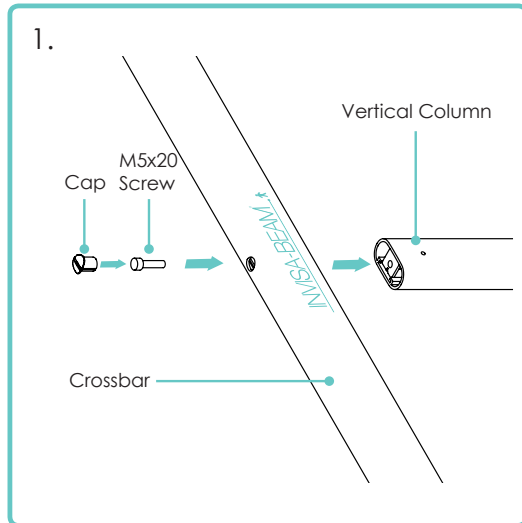
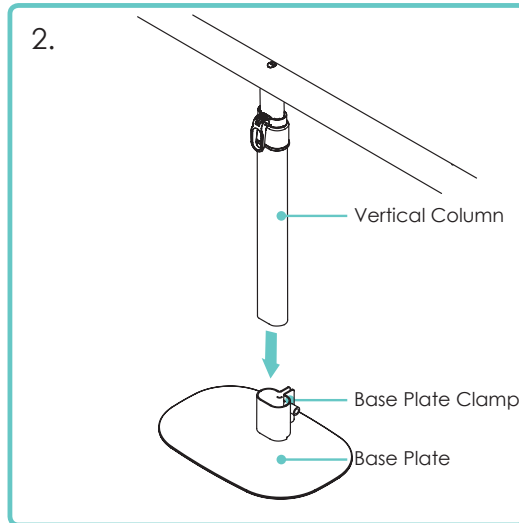


QUICK START GUIDE

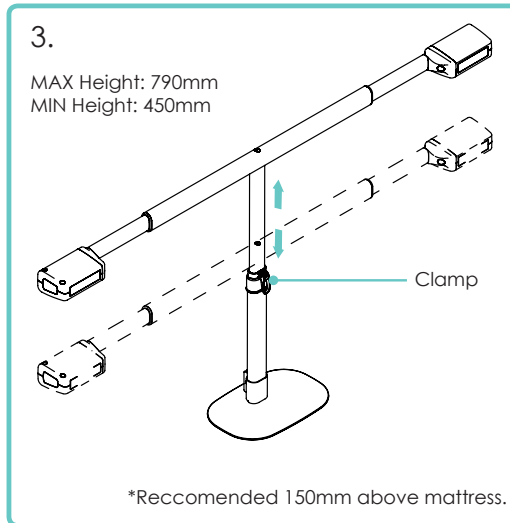
INVISA-BEAM® DUAL BEAM BED MONITOR ASSEMBLY



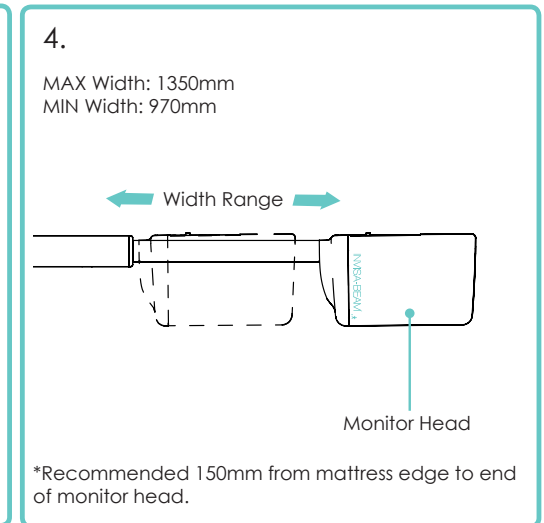
1. Place the crossbar section onto a flat surface and screw crossbar to vertical column using supplied screw and M5 Allen Key, then place cap on hole.



2. Place the Vertical Column into the Base Plate clamp and tighten screw firmly with supplied M8 Allen Key.

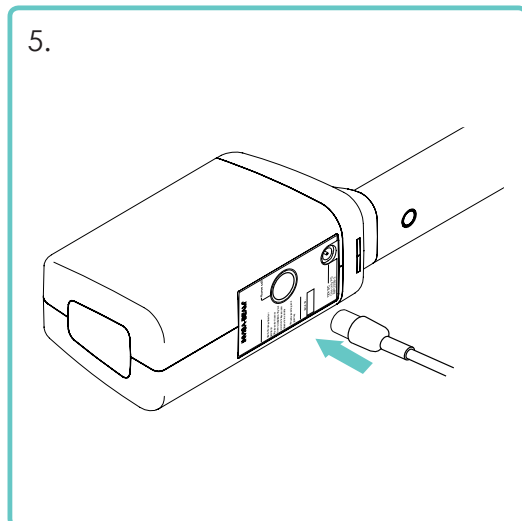


3. Lift clamp lever to unlock, adjust monitor height to required level and lock by pushing clamp lever down.

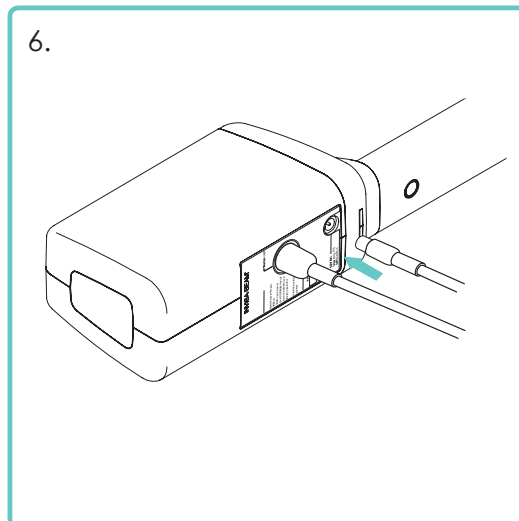


4. Adjust monitor width as required.

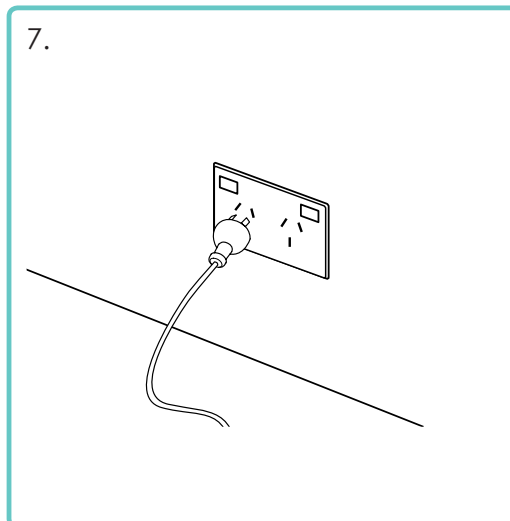
INVISA-BEAM® DUAL BEAM BED MONITOR INSTALLATION



5. Plug Nurse-call Cable into Nurse-call socket on rear of one of the monitor Head-Units only.



6. Plug the 12V Power Supply cable from the power supply into the 12V port at the rear of one of the monitor Head-Units only.



7. Plug 240V Power Cord into the power point and switch the power point on.

INVISA-BEAM®
©2017 Conseng Pty Ltd

For a complete user guide and specifications, please go to:

<http://www.invisabeam.com/pdf/dualbeam-instructions.pdf>

Distributed by:

 aidacare
HEALTHCARE EQUIPMENT